

EXERCISE 12.2

1. A park, in the shape of a quadrilateral ABCD, has $\angle C = 90^\circ$, $AB = 9$ m, $BC = 12$ m, $CD = 5$ m and $AD = 8$ m. How much area does it occupy?
2. Find the area of a quadrilateral ABCD in which $AB = 3$ cm, $BC = 4$ cm, $CD = 4$ cm, $DA = 5$ cm and $AC = 5$ cm.
3. Radha made a picture of an aeroplane with coloured paper as shown in Fig 12.15. Find the total area of the paper used.

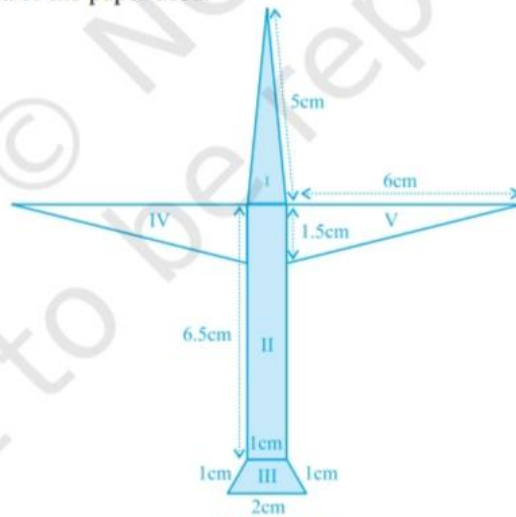


Fig. 12.15

4. A triangle and a parallelogram have the same base and the same area. If the sides of the triangle are 26 cm, 28 cm and 30 cm, and the parallelogram stands on the base 28 cm, find the height of the parallelogram.

